

Receiver
From

 Society
 Reference
 Address
 Phone
 Fax
 E-mail

Item n° :

60122652

Model :

NOVA SALT W M-A

Pump data

 Free passage : 5 mm
 Pressure rating :
 Min. fluid temperature :
 Max. fluid temperature :
 Max. Ambient temperature :

Requested data

 Flow : 0 m³/h
 Head : 0 m
 Fluid : Water
 Fluid Temperature : 20 °C
 Density : 0.99819 kg/dm³
 Kinematic viscosity : 1.0004 mm²/s
 Vapor pressure : 2.2045 kPa

Hydraulic data (duty point)

 Flow :
 Head :

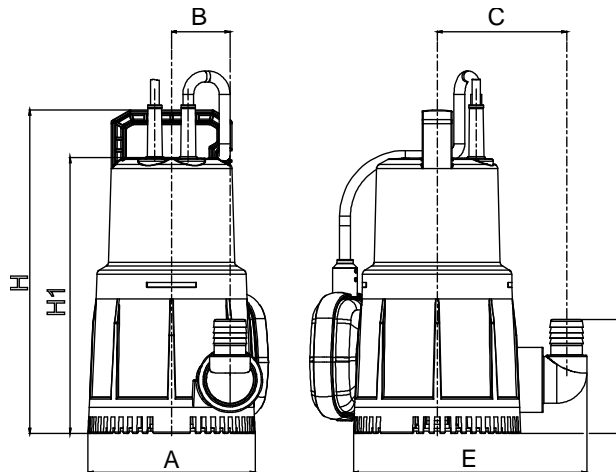
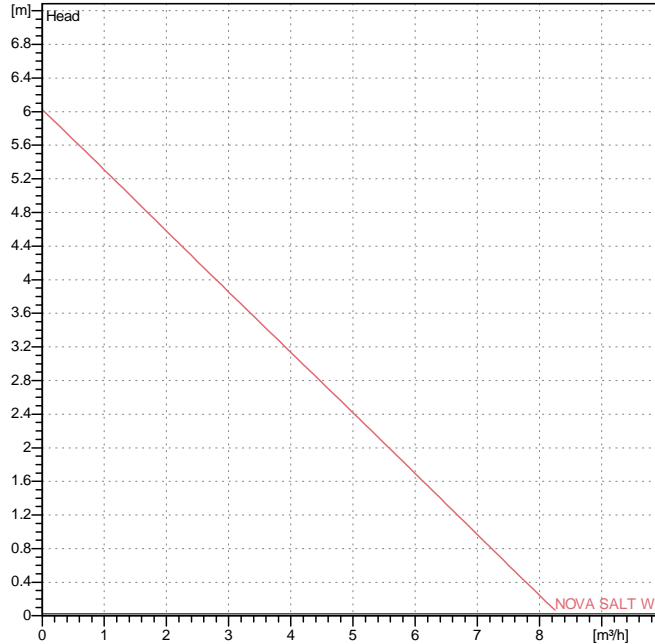
Materials

 Pump body : Technopolymer
 Impeller : Technopolymer
 Motor shaft : Stainless Steel AISI 316
 Filter : Technopolymer
 Motor casing : Aluminium
 OR ring : NBR
 V-RING : NBR

Motor data

 Motor brand : DAB
 Nominal power P2 : 0.2 kW
 Rated speed : 2800 1/min
 Rated voltage : 1~ 220-240 V
 Nominal current : 1.3 A
 Degree of protection : IP X8

50 Hz

Curve tolerance according to ISO 9906

Weight : On demand kg

Dimensions in mm

| Dimension | Value (mm) | | | | |
|-----------|------------|--|--|--|--|
| A | 140 | | | | |
| B | 48 | | | | |
| C | 107 | | | | |
| D | 95 | | | | |
| E | 195 | | | | |
| H | 270 | | | | |
| H1 | 230 | | | | |

Pump connection

 Suction side : /
 Discharge side : /



PERFORMANCE CURVES

2019-10-28

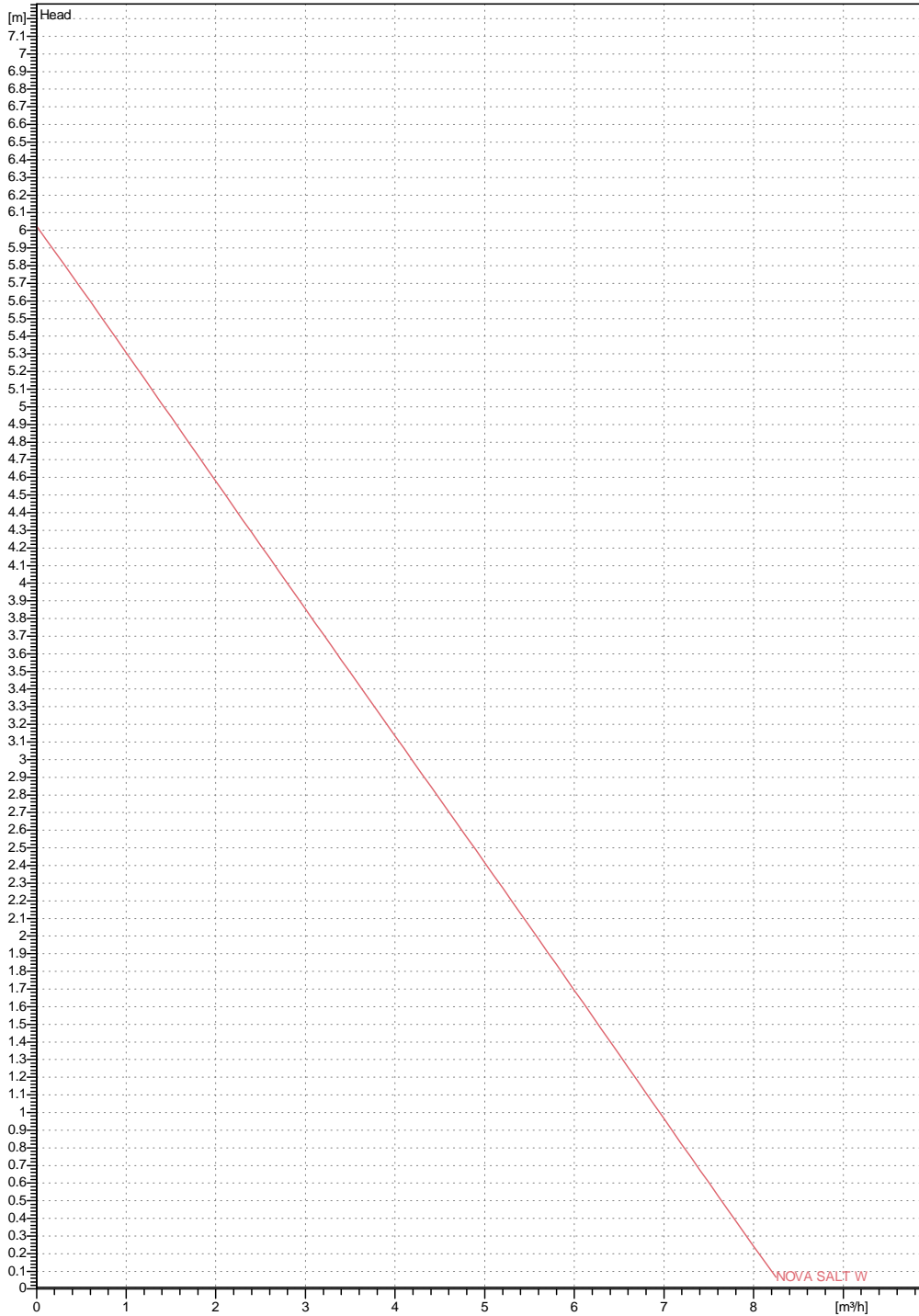
Page 2 / 3

DAB PUMPS S.p.A.
Via Marco Polo, 14 - 35035 Mestrino (PD), Italy
Tel. +39 049 5125000 - Fax +39 049 5125950
www.dabpumps.com

| | | |
|---|-----------------|-------------|
| | Receiver | From |
| Society Reference Address Phone Fax E-mail | | |

NOVA SALT W M-A

Curve tolerance according to ISO 9906



Hydraulic data (duty point)

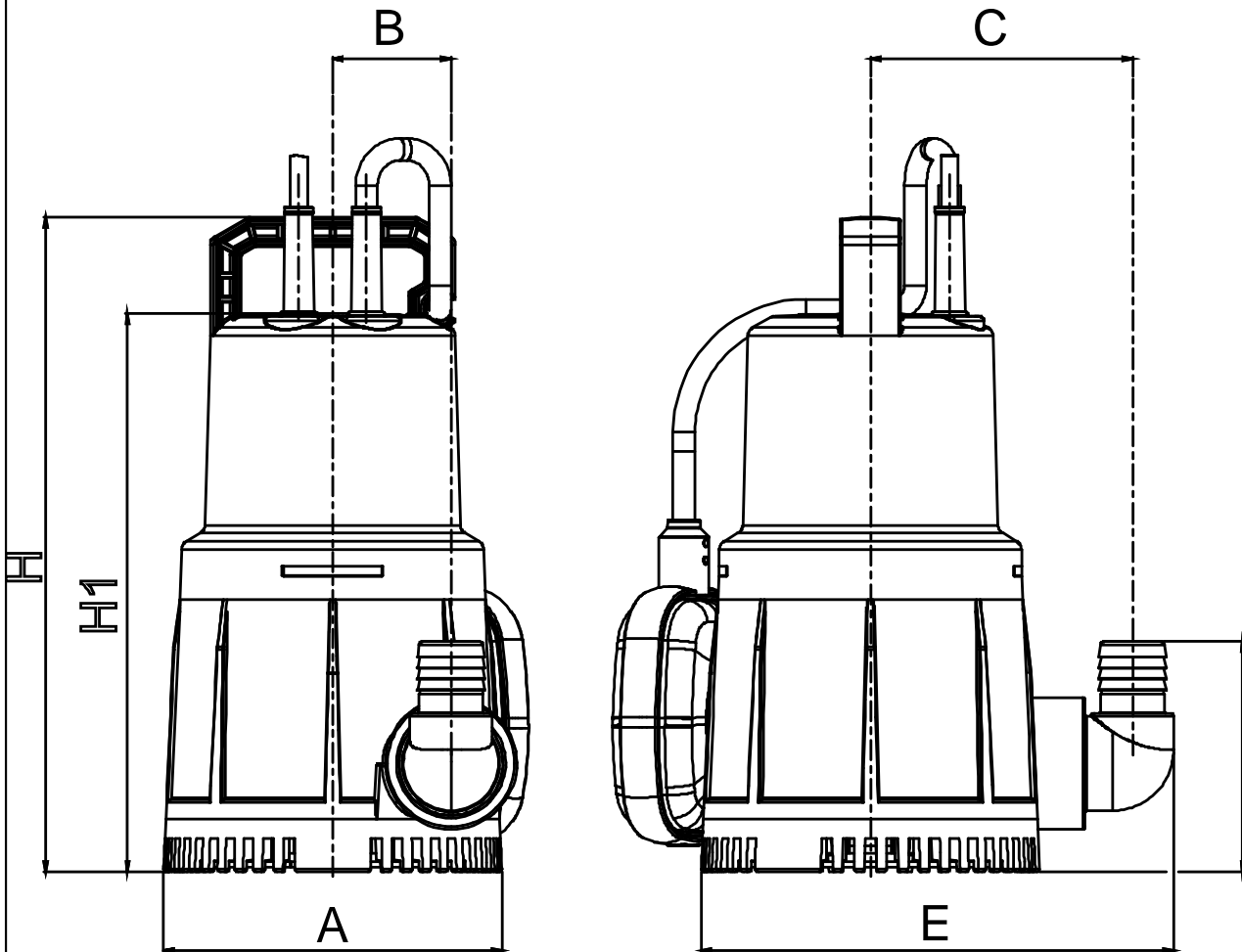
| | | | | |
|----------------|------------------|------------------|---------------------------------|-----------------------------|
| Suction side : | Discharge side : | Flow : 0 m³/h | Head : 0 m | Rated speed : 2800 1/min |
| Project | Project ID | Created by | Created on 2019-10-28 | |

Receiver

From

 Society
 Reference
 Address
 Phone
 Fax
 E-mail

NOVA SALT W M-A


Dimensions in mm

| | | |
|---|----|-----|
| 1 | A | 140 |
| 2 | B | 48 |
| 3 | C | 107 |
| 4 | D | 95 |
| 5 | E | 195 |
| 6 | H | 270 |
| 7 | H1 | 230 |

Pump connection

Suction

Discharge

Project

Project ID

Created by

Created on

2019-10-28