

EH 5

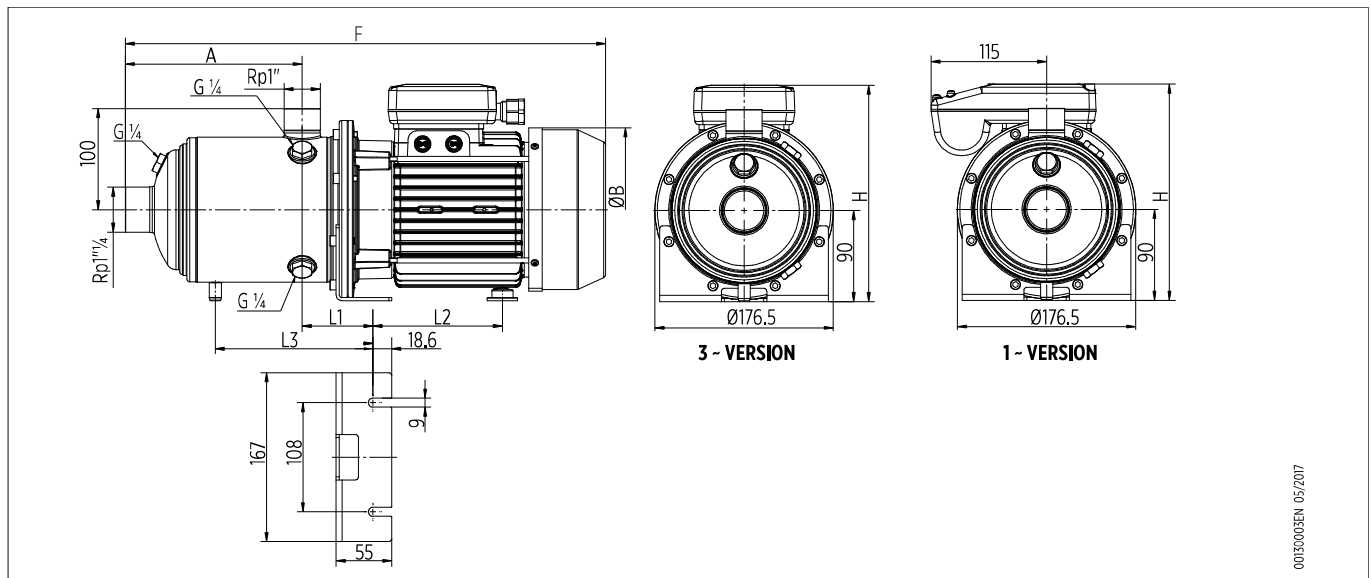
1 ~ ELECTRIC PUMP TECHNICAL DATA

Pump model	Motor Size	MOTOR NOMINAL POWER		INPUT POWER [kW]	Capacitor 450V μ F	INPUT CURRENT [A]	Dimensions [mm]						Weight [Kg]	
		[kW]	[HP]				220-240 V	A	F	\varnothing B	H	L1		L2
EH 5/2	71	0.45	0.6	0.59	16	3.0	103	361	144	207	70	101	-	11.2
EH 5/3	71	0.55	0.75	0.81	16	3.9	103	361	144	207	70	101	-	11.4
EH 5/4	71	0.9	1.2	1.10	30	5.3	127	385	144	207	70	101	-	13.4
EH 5/5	71	1.1	1.5	1.32	30	6.2	151	409	144	207	70	101	-	14
EH 5/6	80	1.3	1.8	1.53	30	7.3	175	475	162	214	70	128	-	17.8
EH 5/7	80	1.5	2	1.74	30	8.2	199	499	162	214	70	128	180	18.2
EH 5/8	90	1.85	2.5	2.40	60	10.5	223	567	179	221	70	172	204	24.2
EH 5/9	90	2.2	3	2.59	60	11.4	247	592	179	221	70	172	228	24.8

3 ~ ELECTRIC PUMP TECHNICAL DATA

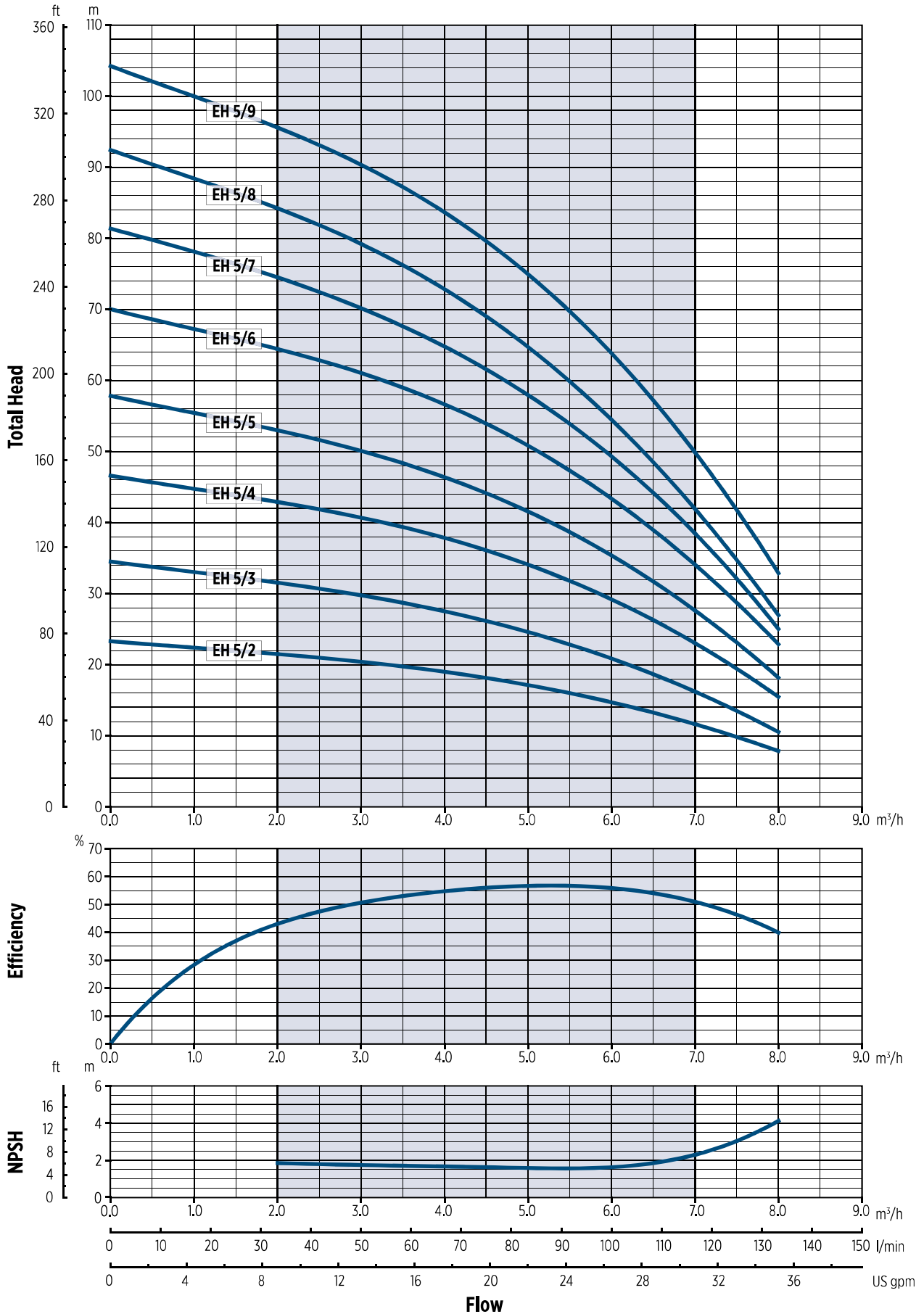
Pump model	Motor Size	MOTOR NOMINAL POWER		INPUT POWER [kW]	INPUT CURRENT [A]		Dimensions [mm]						Weight [Kg]	
		[kW]	[HP]		220-240 V	380-415 V	A	F	\varnothing B	H	L1	L2		L3
EH 5/2T	71	0.75	1	0.55	2.1	1.2	103	363	144	207	70	101	-	10.8
EH 5/3T	71	0.75	1	0.77	2.5	1.4	103	363	144	207	70	101	-	11
EH 5/4T	71	1.1	1.5	0.99	3.2	1.9	127	387	144	207	70	101	-	12.2
EH 5/5T	71	1.1	1.5	1.21	3.7	2.2	151	411	144	207	70	101	-	12.6
EH 5/6T	80	1.5	2	1.50	5.0	2.9	175	472	162	214	70	128	-	16.6
EH 5/7T	80	1.5	2	1.72	5.5	3.2	199	496	162	214	70	128	180	17
EH 5/8T	90	2.2	3	2.06	6.8	3.9	223	567	179	221	70	172	204	23
EH 5/9T	90	2.2	3	2.29	7.4	4.3	247	591	179	221	70	172	228	23.4

DIMENSIONAL DRAWINGS



0013503EN 05/2017

PERFORMANCE CURVES 50 Hz



0012006EN 05/2017